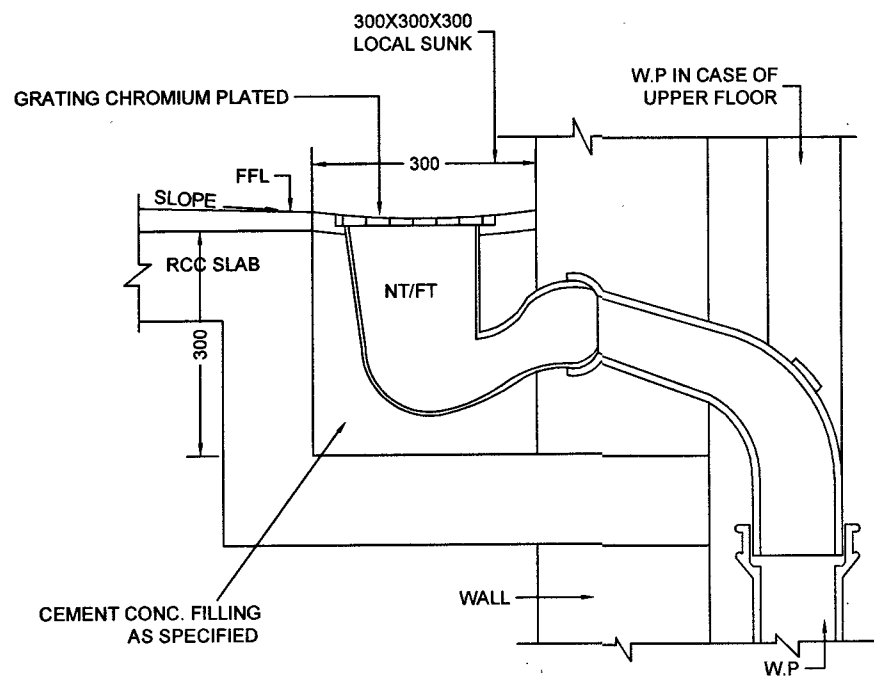
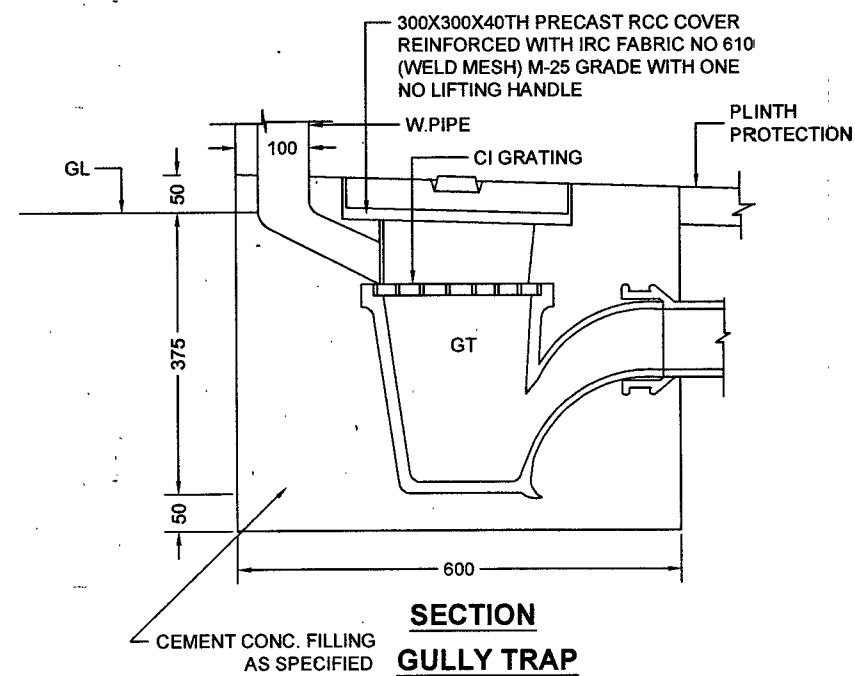


SECTION

INSPECTION CHAMBER (FIRST MANHOLE)



**SECTION
DETAIL OF LOCAL SUNK**



**SECTION
GULLY TRAP**

NOTES:


1. CONTRACTOR TO CHECK & VERIFY ALL DIMENSIONS BEFORE TAKING EXECUTION IN HAND.
2. FIGURED DIMENSIONS SHALL BE FOLLOWED.
3. ALL DIMENSIONS ARE SHOWN IN MM UNLESS OTHER WISE STATED.
4. EXECUTIVE AUTHORITY SHALL CHECK THIS DRG. BEFORE TAKING EXECUTION IN HAND.

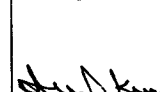
ARCH DRAWINGS PREPARED UNDER CONSULTANCY BY M/S THE DESIGN FACTORY, 293, CHOTI BARANDARI PART-1 JALANDHAR, PUNJAB. THE SAME ARE SIGNED BY US AS PER E-IN-C'S BRANCH POLICY LETTER NO 08/2017 ISSUED UNDER E2 WORKS (PPC) SUB DTE, DTE OF WORKS, LETTER NO. A/00157/23-1/POL/E2W(PPC) DATED 02 JULY 2017


SL NO	DATE	DESCRIPTION	INITIAL
REVISION			

DETAILS OF LOCAL SUNK, GULLY TRAP & INSPECTION CHAMBER (FIRST MANHOLE)

DATE	13/03/2025	CHIEF ENGINEER JALANDHAR ZONE	SHEET NO
DRAWN			01
CHKD			01
SCALE	AS SHOWN	DRG NO : CEJZ / TD-105 / 2025	

CONSULTANTS:

 293 CHHOTI BARANDARI
 PART 1 - JALANDHAR
 +91 9876602949
 thedesignfactory7@gmail.com


 AAD (ARCH)


 DIRECTOR (ARCH)
 or CHIEF ENGINEER